

### **SPDT**

#### **Pin-Diode Non-Reflective and Reflective Switches- Single Pole Two Throw**

The CMIK2 series of reflective and non-reflective single pole, two throw pin-diode switches span the frequency range of 20MHz to 18GHz. The switches are available in a wide variety of standard frequency ranges from cost effective narrowband to high performance broadband. Each switch incorporates a TTL-compatible driver with discrete logic inputs for convenient system integration and operates from +5V and -5 to -15DC power supplies. Standard screened devices incorporate epoxy sealed lids and undergo a stringent yet cost effective screening cycle.

#### **Applications:**

- EW Systems
- Communications Systems
- Antenna Selectors
- Test Equipment
- Electronic Simulators
- Filter Selectors



#### **Ordering Information:**

- Delivery: Stock to eight weeks
- Single TTL control option: Add "-1" to part number when ordering.
- Additional options: Switches can be modified for custom applications. Contact the factory to discuss specific requirements.

**CALL OUR SALES DEPARTMENT FOR MORE INFORMATION OR VARIATIONS OF THIS PRODUCT.**

**Corry Micronics, Inc. One Plastics Rd. - Corry, PA 16407**  
**(814) 664-7728 Fax (814) 664-4582 [www.cormic.com](http://www.cormic.com)**

Corry Micronics Inc. herein referred to CMI, believes this information to be accurate, but makes no warranties, expressed or implied as to the accuracy of this document. CMI assumes no liability for any injury, loss, damage, direct or consequential arising from the use of our products. User assumes all risk whatsoever in connection with it's intended use. CMI also reserves the right to change this document without notice.

Non-Reflective Switches							
Part Number	Frequency Range	Insertion Loss (dB max)	VSWR (max)	Isolation (dB min)	SWSP (nsec) (max)	RF Power (WCW) (max)	Package
CMIK2-A24-111	0.02 GHz – 0.5 GHz	1.5	1.5	80	100	1.0	W201.W202
CMIK2-B24-111	0.5 GHz - 1 GHz	1.6	1.5	80	100	1.0	W201.W202
CMIK2-C24-111	1 GHz - 2GHz	1.2	1.5	80	50	1.0	W201.W202
CMIK2-D24-111	2 GHz - 4GHz	1.8	1.5	80	50	1.0	W201.W202
CMIK2-E23-111	4 GHz - 8GHz	2.0	1.6	60	50	1.0	W201.W202
CMIK2-F23-111	8GHz - 12 GHz	2.6	1.5	60	50	0.5	W201.W202
CMIK2-G23-111	12GHz - 18 GHz	3.2	2.0	60	50	0.5	W201.W202
CMIK2-123-111	0.02 GHz - 3GHz	2.5	2.0	60	200	1.0	W201.W202
CMIK2-223-111	2 GHz - 18GHz	3.2	2.2	60	50	1.0	W201.W202

**CALL OUR SALES DEPARTMENT FOR MORE INFORMATION OR VARIATIONS OF THIS PRODUCT.**

**Corry Micronics, Inc. One Plastics Rd. - Corry, PA 16407  
(814) 664-7728 Fax (814) 664-4582 [www.cormic.com](http://www.cormic.com)**

Corry Micronics Inc. herein referred to CMI, believes this information to be accurate, but makes no warranties, expressed or implied as to the accuracy of this document. CMI assumes no liability for any injury, loss, damage, direct or consequential arising from the use of our products. User assumes all risk whatsoever in connection with it's intended use. CMI also reserves the right to change this document without notice.



# PRODUCT SPECIFICATION

Reflective Switches							
Part Number	Frequency Range	Insertion Loss (dB max)	VSWR (max)	Isolation (dB min)	SWSP (nsec) (max)	RF Power (WCW) (max)	Package
CMIK2-A14-111	0.02 GHz – 0.5 GHz	1.3	1.5	80	100	1.0	W201.W202
CMIK2-B14-111	0.5 GHz - 1 GHz	1.4	1.5	80	100	1.0	W201.W202
CMIK2-C14-111	1 GHz - 2GHz	1.0	1.5	80	50	1.0	W201.W202
CMIK2-D14-111	2 GHz - 4GHz	1.3	1.5	80	50	1.0	W201.W202
CMIK2-E14-111	4 GHz - 8GHz	1.6	1.6	60	50	1.0	W201.W202
CMIK2-F13-111	8GHz - 12 GHz	2.0	1.7	60	50	1.0	W201.W202
CMIK2-G13-111	12GHz - 18 GHz	2.5	2.0	60	50	0.5	W201.W202
CMIK2-113-111	0.02 GHz - 3GHz	2.3	2.0	60	200	1.0	W201.W202
CMIK2-213-111	2 GHz - 18GHz	2.4	2.2	60	50	1.0	W201.W202
CMIK2-214-111	2 GHz - 18GHz	2.6	2.2	80	50	1.0	W201.W202

**CALL OUR SALES DEPARTMENT FOR MORE INFORMATION OR VARIATIONS OF THIS PRODUCT.**

**Corry Micronics, Inc. One Plastics Rd. - Corry, PA 16407  
 (814) 664-7728 Fax (814) 664-4582 [www.cormic.com](http://www.cormic.com)**

Corry Micronics Inc. herein referred to CMI, believes this information to be accurate, but makes no warranties, expressed or implied as to the accuracy of this document. CMI assumes no liability for any injury, loss, damage, direct or consequential arising from the use of our products. User assumes all risk whatsoever in connection with it's intended use. CMI also reserves the right to change this document without notice.

<b>ELECTRICAL NOTES</b>	<b>MECHANICAL SPECIFICATIONS</b>
DC Bias: +5.0 +/- 0.5V @ 80mA max.  -5.0 +/- .5V @ 40mA max.	Case Style: Outline W201 (Standard) Outline w202
Control: TTL Logic 0: Low Loss	Finish: gold plating for brass material *
Standard TTL Logic 1: Isolation	Connectors: SMA female per MIL-C-39012
Version C1 Controls J2 - J1	Bias and Control: 0.020" dia x 0.15" long solder pins
C2 Controls J3 - J1	Weight:
Power hanging 1 Watts CW	Mounting: (4) 2.2mm dia through holes.

\*Passivation for aluminum material.

Other finish is available according to the customer's requirements.

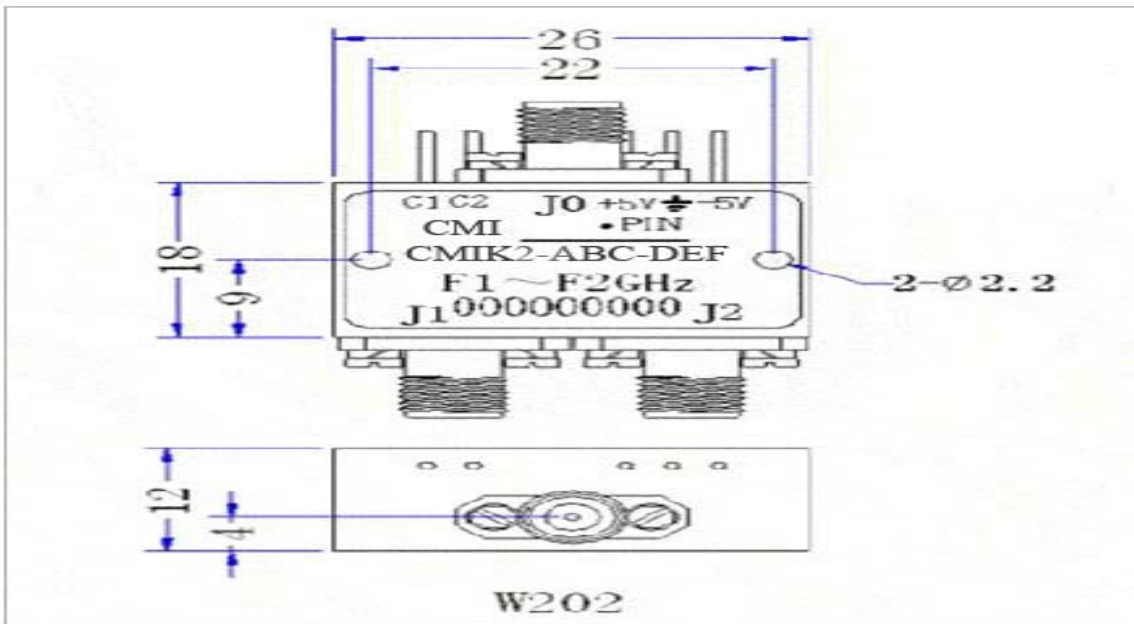
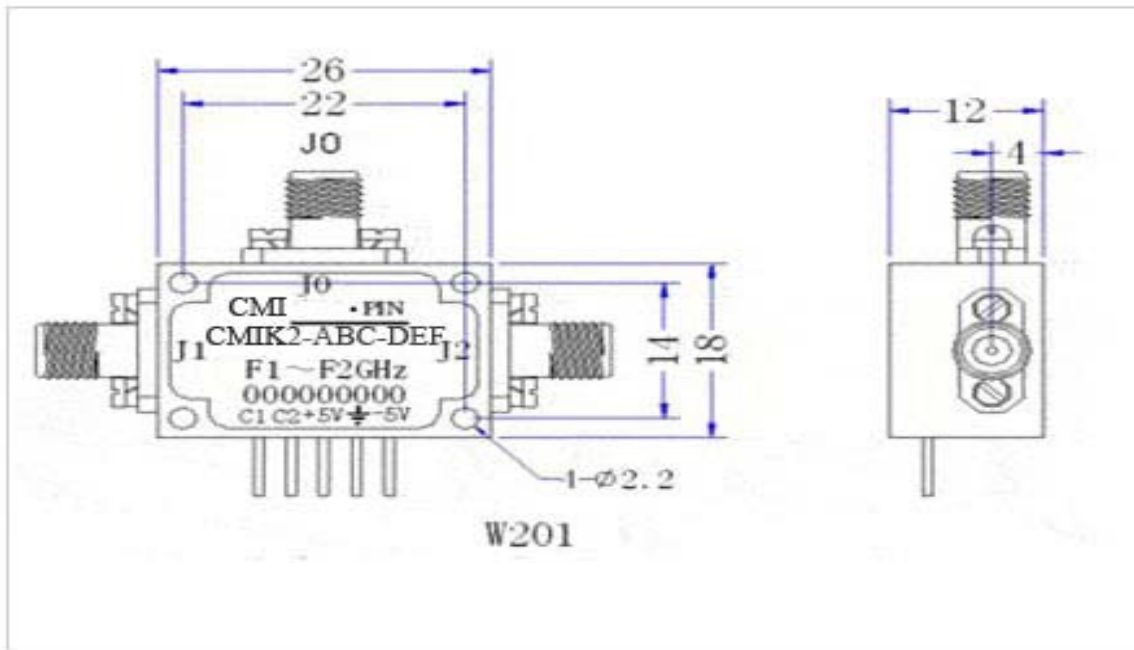
**Note:**

For faster speed, other power supply and controls, higher power handling and isolation, non driven; please contact the factory to discuss your requirements.

**CALL OUR SALES DEPARTMENT FOR MORE INFORMATION OR VARIATIONS OF THIS PRODUCT.**

**Corry Micronics, Inc. One Plastics Rd. - Corry, PA 16407**  
**(814) 664-7728 Fax (814) 664-4582 [www.cormic.com](http://www.cormic.com)**

Corry Micronics Inc. herein referred to CMI, believes this information to be accurate, but makes no warranties, expressed or implied as to the accuracy of this document. CMI assumes no liability for any injury, loss, damage, direct or consequential arising from the use of our products. User assumes all risk whatsoever in connection with it's intended use. CMI also reserves the right to change this document without notice.



**CALL OUR SALES DEPARTMENT FOR MORE INFORMATION OR VARIATIONS OF THIS PRODUCT.**

**Corry Micronics, Inc. One Plastics Rd. - Corry, PA 16407  
(814) 664-7728 Fax (814) 664-4582 [www.cormic.com](http://www.cormic.com)**

Corry Micronics Inc. herein referred to CMI, believes this information to be accurate, but makes no warranties, expressed or implied as to the accuracy of this document. CMI assumes no liability for any injury, loss, damage, direct or consequential arising from the use of our products. User assumes all risk whatsoever in connection with it's intended use. CMI also reserves the right to change this document without notice.