

# PRODUCT SPECIFICATION

## CMIVCPS08001800A Voltage Control Phase Shifter 4 - 8 GHz

### Electrical Specifications

Parameter	Specification
Frequency Range	8 ~ 18 GHz
Phase Range	360° Typ.
Insertion Loss	6.0 dB Typ. 8.0 dB MAX
Insertion Loss Temperature Coefficient	0.003 dB/ °C Typ.
Phase Flatness	±15° Typ.
Control Voltage	0.0 V MIN 13.0 V Typ.
Input Return Loss (0V)	6 dB MIN 8 dB Typ.
Output Return Loss (0V)	6 dB MIN 8 dB Typ.
0.1 dB Compression Point (P0.1dB)	23 dBm Typ.
Current	5 mA
Impedance	50 Ω
Weight	0.5 Ounces
Input / Output Connectors	SMA-Female
Finish	Gold Plated
Material	Aluminum
Altitude	30,000 ft. (Epoxy Sealed Controlled Environment)
	60,000 ft 1.0 psi min (Hermetically Sealed Un-Controlled Environment) (Optional)
Vibration	25 gRMS (15 degrees 2 kHz) endurance, 1 hr/axis
Humidity	100% RH @ 35° C, 95% RH @ 40° C
Shock	20 G for 11 msec Half Sine Wave, 3 Axis Both Directions
Dimensions	See Attached Drawing (Dimensions are in mm)

**CALL OUR SALES DEPARTMENT FOR MORE INFORMATION OR VARIATIONS OF THIS PRODUCT.**

**Corry Micronics, Inc. One Plastics Rd. - Corry, PA 16407**  
**(724) 940-7556 ext. 138 Fax (724) 940-7707 [www.cormic.com](http://www.cormic.com)**

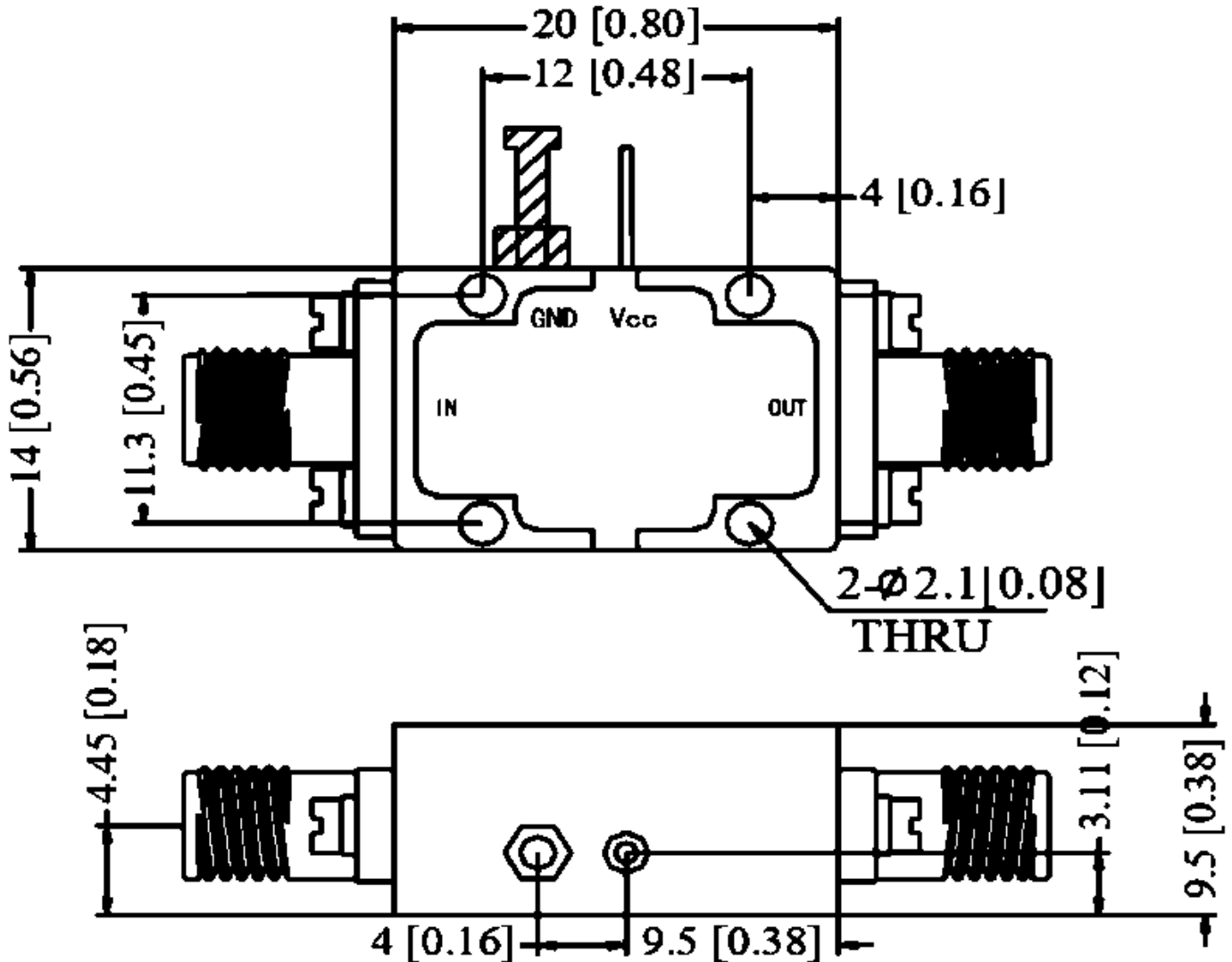
Corry Micronics Inc. herein referred to CMI, believes this information to be accurate, but makes no warranties, expressed or implied as to the accuracy of this document. CMI assumes no liability for any injury, loss, damage, direct or consequential arising from the use of our products. User assumes all risk whatsoever in connection with its intended use. CMI also reserves the right to change this document without notice. 04/19/2021

# PRODUCT SPECIFICATION

## Absolute Maximum Ratings

Control Voltage	0 ~ +15V
RF Input Power	+26 dBm

## Outline Drawing



**CALL OUR SALES DEPARTMENT FOR MORE INFORMATION OR VARIATIONS OF THIS PRODUCT.**

**Corry Micronics, Inc. One Plastics Rd. - Corry, PA 16407**  
 (724) 940-7556 ext. 138 Fax (724) 940-7707 [www.cormic.com](http://www.cormic.com)

Corry Micronics Inc. herein referred to CMI, believes this information to be accurate, but makes no warranties, expressed or implied as to the accuracy of this document. CMI assumes no liability for any injury, loss, damage, direct or consequential arising from the use of our products. User assumes all risk whatsoever in connection with its intended use. CMI also reserves the right to change this document without notice. 04/19/2021