

PRODUCT SPECIFICATION

CMIVCPS01000200A Voltage Control Phase Shifter 1 - 2 GHz

Electrical Specifications

| Parameter | Specification |
|--|--|
| Frequency Range | 1 ~ 2 GHz |
| Phase Range | 360° Typ. |
| Insertion Loss | 4.5 dB Typ. 5.5 dB MAX |
| Insertion Loss Temperature Coefficient | 0.16 dB/ °C Typ. |
| Phase Flatness | ±15° MAX |
| Control Voltage | 0.0 V MIN 12.0 V Typ. |
| Input VSWR | 2.2 :1 Typ. 2.5 :1 MAX |
| Output VSWR | 2.2 :1 Typ. 2.5 :1 MAX |
| 0.1 dB Compression Point (P0.1dB) | 25 dBm Typ. |
| Current | 5 mA |
| Impedance | 50 Ω |
| Weight | 0.6 Ounces |
| Input / Output Connectors | SMA-Female |
| Finish | Gold Plated |
| Material | Aluminum |
| Altitude | 30,000 ft. (Epoxy Sealed Controlled Environment) |
| | 60,000 ft 1.0 psi min (Hermetically Sealed Un-Controlled Environment) (Optional) |
| Vibration | 25 gRMS (15 degrees 2 kHz) endurance, 1 hr/axis |
| Humidity | 100% RH @ 35° C, 95% RH @ 40° C |
| Shock | 20 G for 11 msec Half Sine Wave, 3 Axis Both Directions |
| Dimensions | See Attached Drawing (Dimensions are in mm) |

CALL OUR SALES DEPARTMENT FOR MORE INFORMATION OR VARIATIONS OF THIS PRODUCT.

Corry Micronics, Inc. One Plastics Rd. - Corry, PA 16407
(724) 940-7556 ext. 138 Fax (724) 940-7707 www.cormic.com

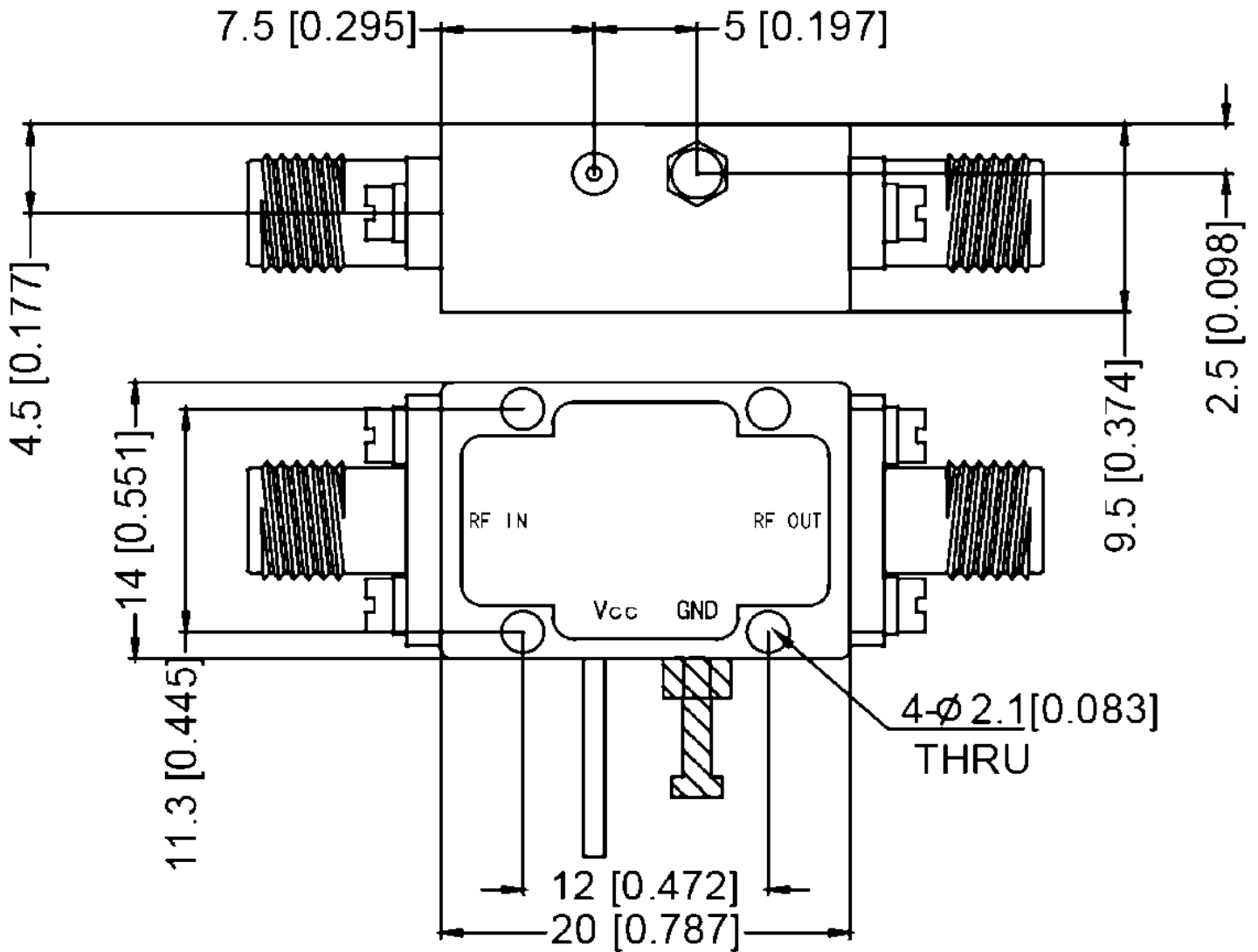
Corry Micronics Inc. herein referred to CMI, believes this information to be accurate, but makes no warranties, expressed or implied as to the accuracy of this document. CMI assumes no liability for any injury, loss, damage, direct or consequential arising from the use of our products. User assumes all risk whatsoever in connection with its intended use. CMI also reserves the right to change this document without notice. 04/19/2021

PRODUCT SPECIFICATION

Absolute Maximum Ratings

| | |
|-----------------|----------|
| Control Voltage | 0 ~ +15V |
| RF Input Power | +27 dBm |

Outline Drawing



CALL OUR SALES DEPARTMENT FOR MORE INFORMATION OR VARIATIONS OF THIS PRODUCT.

Corry Micronics, Inc. One Plastics Rd. - Corry, PA 16407
 (724) 940-7556 ext. 138 Fax (724) 940-7707 www.cormic.com

Corry Micronics Inc. herein referred to CMI, believes this information to be accurate, but makes no warranties, expressed or implied as to the accuracy of this document. CMI assumes no liability for any injury, loss, damage, direct or consequential arising from the use of our products. User assumes all risk whatsoever in connection with its intended use. CMI also reserves the right to change this document without notice. 04/19/2021