



CORRY MICRONICS, INC PRODUCT SPECIFICATION

CMIPA-L23P20

2300 - 2400 MHz LTE-TDD SOLID-STATE HIGH-POWER AMPLIFIER

Functions

Functions	Description
	Operating Temperature Monitor and Alarm
	Serial Control Attenuator, 0.5 dB LSB Steps to 31.5 dB
	Output Power Monitor and Alarm
	Reverse Power Monitor and Alarm

Electrical Specifications

Parameters	Specifications
Operating Frequency	2300 - 2400 MHz
Signal Type	LTE-TDD, PAR 8 dB
Output power	≥43 dBm
ACLR	≤-32 dBc
TX gain	≥50 dB
Transmit gain flatness	≤±0.6 dB
Transmit Input return loss	≤1.5:1
RX NF	3 dB
RX gain	≥25 dB
Receive gain flatness	≤±0.6 dB
Receive Input return loss	≤2:1
Switch time	≤2 μs
Power Supply	+28 V
RF Connectors	SMA - Female
Power Connectors	Socket with Thread, Connect with Ring Terminal and M3 Screw
Control Connector	2.5 mm pitch 5 pin Connector
Dimensions	See Attached Drawing (Dimensions are in mm)

CALL OUR SALES DEPARTMENT FOR MORE INFORMATION OR VARIATIONS OF THIS PRODUCT.

Corry Micronics, Inc. One Plastics Rd. - Corry, PA 16407

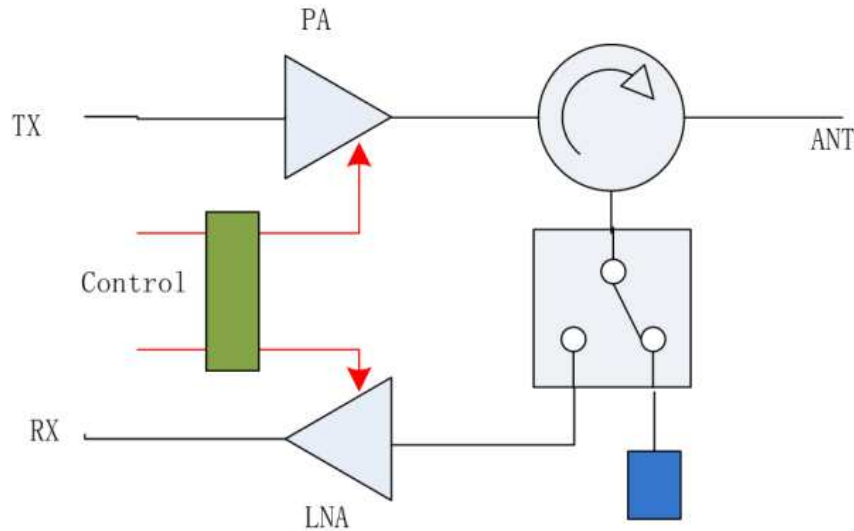
(724) 940-7556 ext. 138 Fax (724) 940-7707 www.cormic.com

Corry Micronics Inc. herein referred to CMI, believes this information to be accurate, but makes no warranties, expressed or implied as to the accuracy of this document. CMI assumes no liability for any injury, loss, damage, direct or consequential arising from the use of our products. User assumes all risk whatsoever in connection with its intended use. CMI also reserves the right to change this document without notice. 09/18/2019



CORRY MICRONICS, INC PRODUCT SPECIFICATION

Block Diagram



Control Socket Pinout

Pin Number	Definition	Instructions
1	RS485_A	
2	RS485_B	
3	GND	
4	PA_CTL	Amplifier Control Signal, High level On, Low Level Off
5	LNA_CTL	Low Noise Control Signal, High level On, Low Level Off

CALL OUR SALES DEPARTMENT FOR MORE INFORMATION OR VARIATIONS OF THIS PRODUCT.

Corry Micronics, Inc. One Plastics Rd. - Corry, PA 16407

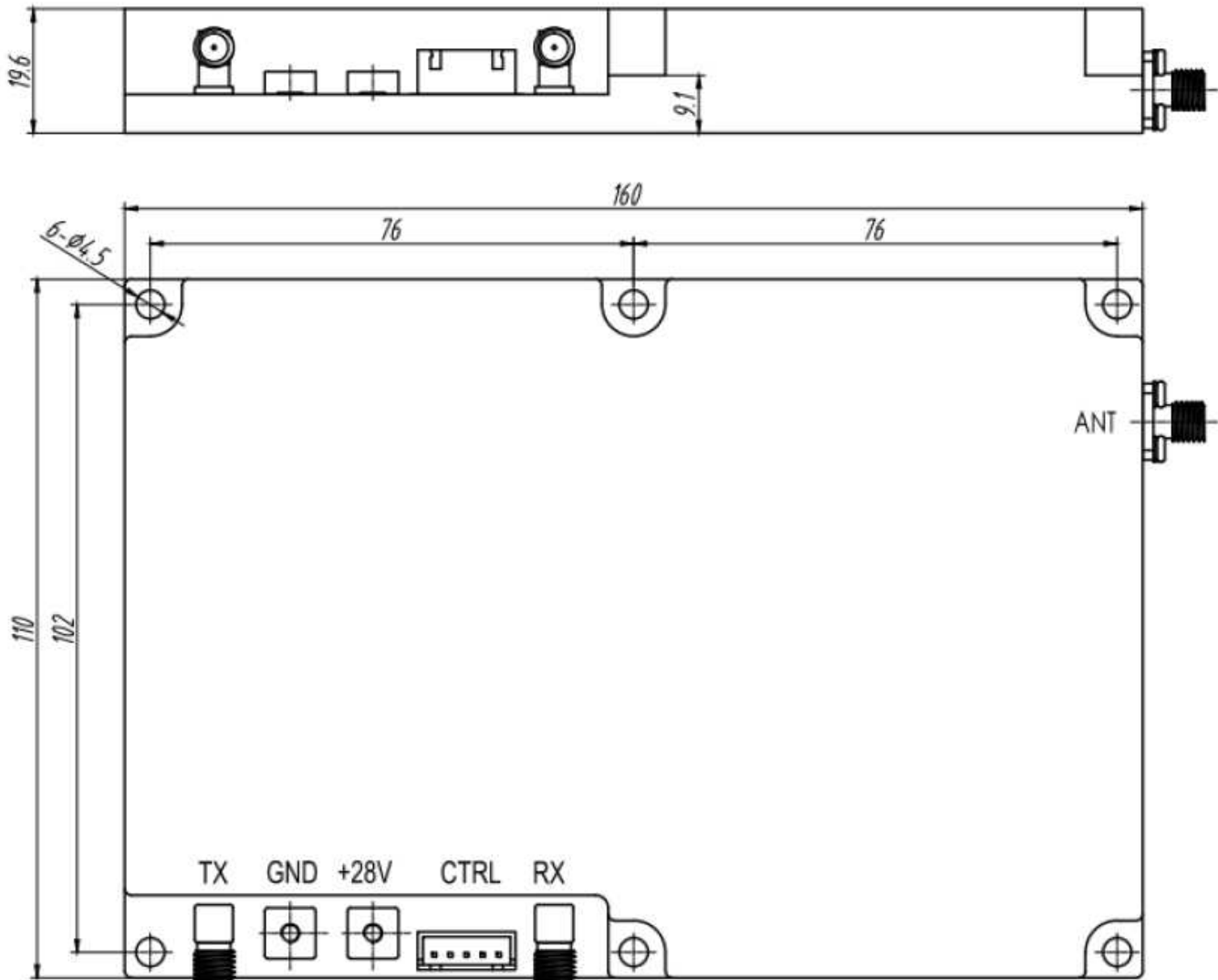
(724) 940-7556 ext. 138 Fax (724) 940-7707 www.cormic.com

Corry Micronics Inc. herein referred to CMI, believes this information to be accurate, but makes no warranties, expressed or implied as to the accuracy of this document. CMI assumes no liability for any injury, loss, damage, direct or consequential arising from the use of our products. User assumes all risk whatsoever in connection with its intended use. CMI also reserves the right to change this document without notice. 09/18/2019



CORRY MICRONICS, INC PRODUCT SPECIFICATION

Outline Drawing



CALL OUR SALES DEPARTMENT FOR MORE INFORMATION OR VARIATIONS OF THIS PRODUCT.

Corry Micronics, Inc. One Plastics Rd. - Corry, PA 16407

(724) 940-7556 ext. 138 Fax (724) 940-7707 www.cormic.com

Corry Micronics Inc. herein referred to CMI, believes this information to be accurate, but makes no warranties, expressed or implied as to the accuracy of this document. CMI assumes no liability for any injury, loss, damage, direct or consequential arising from the use of our products. User assumes all risk whatsoever in connection with its intended use. CMI also reserves the right to change this document without notice. 09/18/2019