



CORRY MICRONICS, INC **PRODUCT SPECIFICATION**

CMIINV-5BT2-RM

Band 1/Band 2/Band 5/Band 13/Band 17 Receive Module

Electrical Specifications		Band 1 (LTE2100)
Frequency Range Band 1 Down-link		2110 to 2170 MHz
Frequency Range Band 1 Up-Link		1920 to 1980 MHz
Band 1 Up-Link/Down-Link Isolation		50dB min
Band 1 Rejection		50dB min DC – 1880 MHz, 2300 – 3000 MHz
		Band 2 (PCS-1900)
Frequency Range Band 2 Down-link		1930 to 1990 MHz
Frequency Range Band 2 Up-Link		1850 to 1910 MHz
Band 2 Up-Link/Down-Link Isolation		50dB min
Band 2 Rejection		50dB min DC – 1750 MHz, 2100 – 3000 MHz
		Band 5 (GSM 850)
Frequency Range Band 5 Down-link		869-894 MHz
Frequency Range Band 5 Up-Link		824-849 MHz
Band 5 Up-Link/Down-Link Isolation		50dB min
Band 5 Rejection		50dB min DC – 724 MHz, 1000 - 3000MHz
		Band 13 (Upper 700MHz)
Frequency Range Band 13 Down-link		746 to 756 MHz
Frequency Range Band 13 Up-Link		777 to 787 MHz
Band 13 Up-Link/Down-Link Isolation		50dB min
Band 13 Rejection		50dB min DC – 650 MHz, 900 - 3000MHz
		Band 17 (lower 700MHz)
Frequency Range Band 17 Down-link		734 to 746 MHz
Frequency Range Band 17 Up-Link		704 to 716 MHz
Band 17 Up-Link/Down-Link Isolation		50dB min
Band 17 Rejection		50dB min DC – 600 MHz, 850 - 3000MHz

CALL OUR SALES DEPARTMENT FOR MORE INFORMATION OR VARIATIONS OF THIS PRODUCT.

Corry Micronics, Inc. One Plastics Rd. - Corry, PA 16407

(724) 940-7556 ext. 138 Fax (724) 940-7707 www.cormic.com

Corry Micronics Inc. herein referred to CMI, believes this information to be accurate, but makes no warranties, expressed or implied as to the accuracy of this document. CMI assumes no liability for any injury, loss, damage, direct or consequential arising from the use of our products. User assumes all risk whatsoever in connection with its intended use. CMI also reserves the right to change this document without notice. 6/12/18



CORRY MICRONICS, INC PRODUCT SPECIFICATION

Electrical Specifications Continued	
Insertion Loss, all bands (Antenna to RX port)	-13dB max (LNA Bypass Mode) +19dB min (LNA Enable Mode)
LNA Noise Figure	0.7 dB typ.
Return Loss	10 dB min
RF Input Power	+30dBm Max In-Band RF Power at Ant (LNA Disabled) +40Bm Max Out-of-Band RF Power at Ant -30dBm LTE/UMTS Signal (LNA Enabled) +30dBm No Damage (LNA Enabled)
RF Input / Output Connectors	SMA-Female
Impedance	50 Ω
DC Input Power	12 Volts +/-10% 300mA max
Switching and Bypass Control	RS-422
DC Power and Control Connector	25 Pin Female D-SUB Connector
Operating Temperature	-20° C to +50° C
Dimensions	276.5 mm x 216 mm x 84 mm

CALL OUR SALES DEPARTMENT FOR MORE INFORMATION OR VARIATIONS OF THIS PRODUCT.

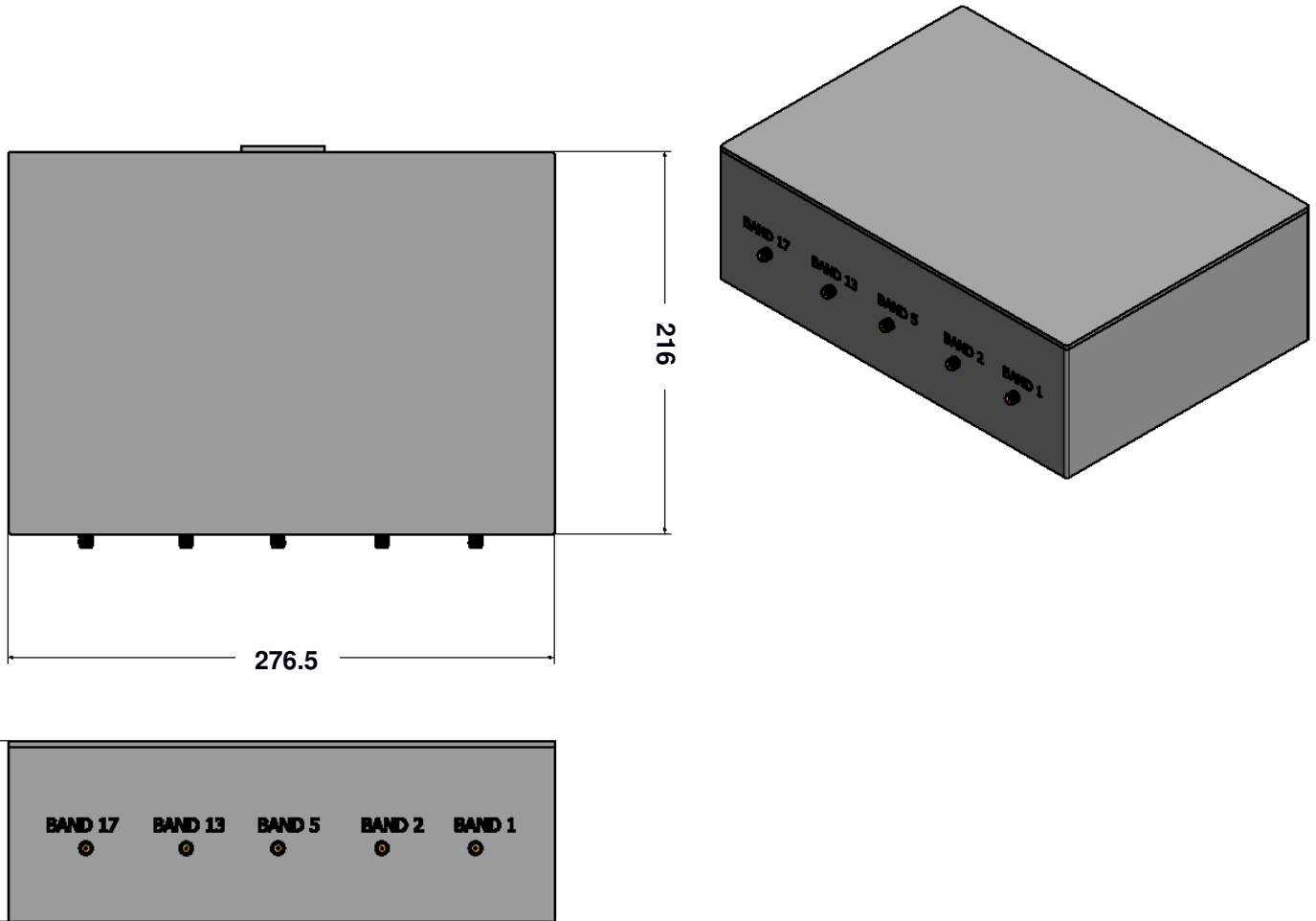
Corry Micronics, Inc. One Plastics Rd. - Corry, PA 16407
(724) 940-7556 ext. 138 Fax (724) 940-7707 www.cormic.com

Corry Micronics Inc. herein referred to CMI, believes this information to be accurate, but makes no warranties, expressed or implied as to the accuracy of this document. CMI assumes no liability for any injury, loss, damage, direct or consequential arising from the use of our products. User assumes all risk whatsoever in connection with its intended use. CMI also reserves the right to change this document without notice. 6/12/18



CORRY MICRONICS, INC PRODUCT SPECIFICATION

Overall Dimensions



Note: All dimensions are in mm

CALL OUR SALES DEPARTMENT FOR MORE INFORMATION OR VARIATIONS OF THIS PRODUCT.

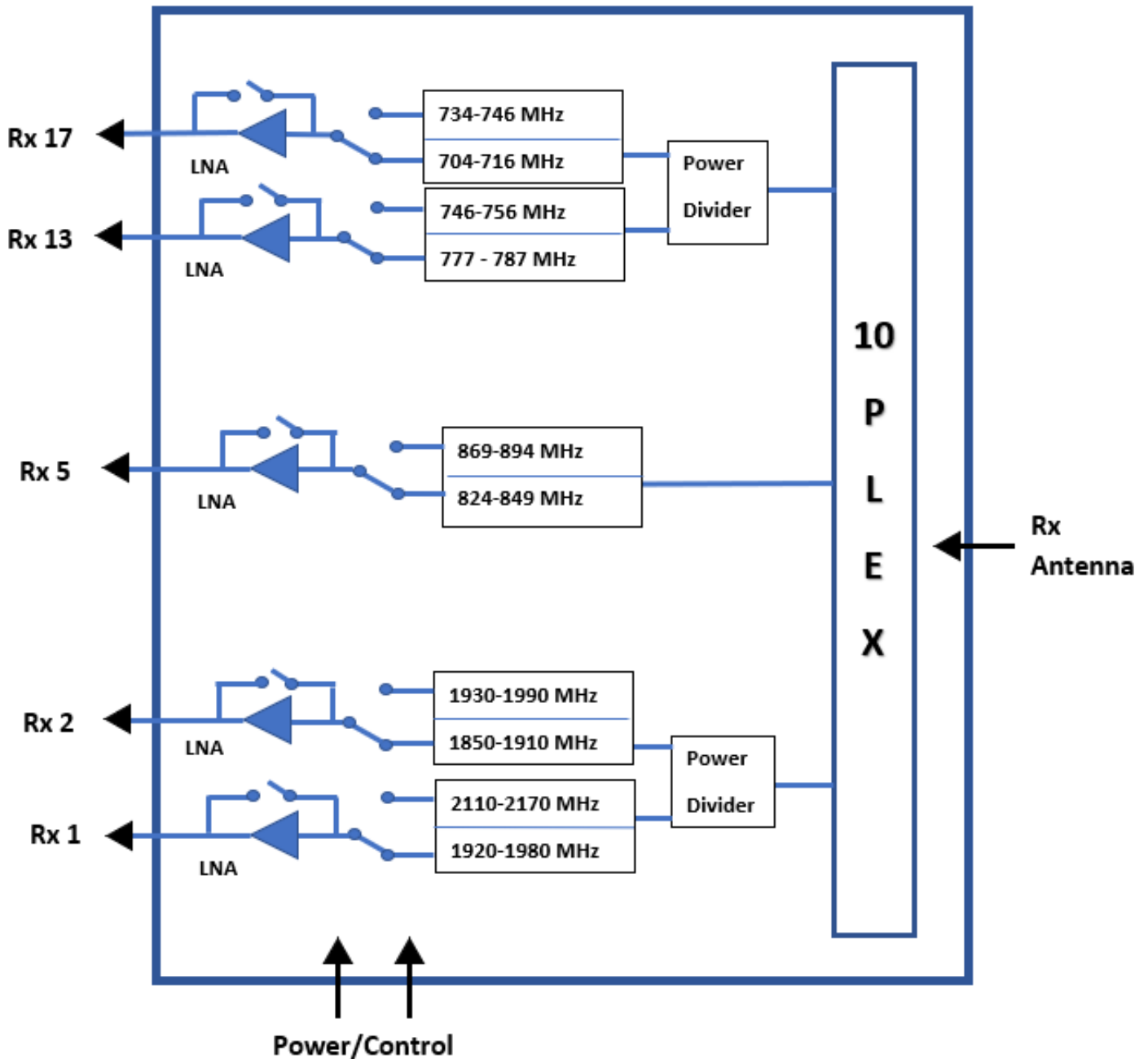
**Corry Micronics, Inc. One Plastics Rd. - Corry, PA 16407
(724) 940-7556 ext. 138 Fax (724) 940-7707 www.cormic.com**

Corry Micronics Inc. herein referred to CMI, believes this information to be accurate, but makes no warranties, expressed or implied as to the accuracy of this document. CMI assumes no liability for any injury, loss, damage, direct or consequential arising from the use of our products. User assumes all risk whatsoever in connection with its intended use. CMI also reserves the right to change this document without notice. 6/12/18



CORRY MICRONICS, INC PRODUCT SPECIFICATION

Block Diagram



CALL OUR SALES DEPARTMENT FOR MORE INFORMATION OR VARIATIONS OF THIS PRODUCT.

Corry Micronics, Inc. One Plastics Rd. - Corry, PA 16407
(724) 940-7556 ext. 138 Fax (724) 940-7707 www.cormic.com

Corry Micronics Inc. herein referred to CMI, believes this information to be accurate, but makes no warranties, expressed or implied as to the accuracy of this document. CMI assumes no liability for any injury, loss, damage, direct or consequential arising from the use of our products. User assumes all risk whatsoever in connection with its intended use. CMI also reserves the right to change this document without notice. 6/12/18



CORRY MICRONICS, INC PRODUCT SPECIFICATION

Connector Pin Out

Pin #	Function
1, 2	+12VDC Power
3, 4	Power Return
5	Band 1 Tx/Rx Select +
6	Band 1 Tx/Rx Select -
7	Band 1 LNA Bypass Control +
8	Band 1 LNA Bypass Control -
9	Band 2 Tx/Rx Select +
10	Band 2 Tx/Rx Select -
11	Band 2 LNA Bypass Control +
12	Band 2 LNA Bypass Control -
13	Band 5 Tx/Rx Select +
14	Band 5 Tx/Rx Select -
15	Band 5 LNA Bypass Control +
16	Band 5 LNA Bypass Control -
17	Band 13 Tx/Rx Select +
18	Band 13 Tx/Rx Select -
19	Band 13 LNA Bypass Control +
20	Band 13 LNA Bypass Control -
21	Band 17 Tx/Rx Select +
22	Band 17 Tx/Rx Select -
23	Band 17 LNA Bypass Control +
24	Band 17 LNA Bypass Control -
25	No Connect

CALL OUR SALES DEPARTMENT FOR MORE INFORMATION OR VARIATIONS OF THIS PRODUCT.

Corry Micronics, Inc. One Plastics Rd. - Corry, PA 16407

(724) 940-7556 ext. 138 Fax (724) 940-7707 www.cormic.com

Corry Micronics Inc. herein referred to CMI, believes this information to be accurate, but makes no warranties, expressed or implied as to the accuracy of this document. CMI assumes no liability for any injury, loss, damage, direct or consequential arising from the use of our products. User assumes all risk whatsoever in connection with its intended use. CMI also reserves the right to change this document without notice. 6/12/18



CORRY MICRONICS, INC PRODUCT SPECIFICATION

Truth Tables

UL/DL Select +	UL/DL Select -	State
1	0	DL Band Connected to Antenna
0	1	UL Band Connected to Antenna

LNA Bypass Control +	LNA Bypass Control -	State
1	0	LNA Bypassed
0	1	LNA Enabled

Controls for Band s 1, 2, 5, 13 and 17 are identical

CALL OUR SALES DEPARTMENT FOR MORE INFORMATION OR VARIATIONS OF THIS PRODUCT.

Corry Micronics, Inc. One Plastics Rd. - Corry, PA 16407
(724) 940-7556 ext. 138 Fax (724) 940-7707 www.cormic.com

Corry Micronics Inc. herein referred to CMI, believes this information to be accurate, but makes no warranties, expressed or implied as to the accuracy of this document. CMI assumes no liability for any injury, loss, damage, direct or consequential arising from the use of our products. User assumes all risk whatsoever in connection with its intended use. CMI also reserves the right to change this document without notice. 6/12/18