



CORRY MICRONICS, INC PRODUCT SPECIFICATION

CMIF3882-BS
Suspended Substrate Strip-Line Band Pass Filter



<i>Parameters</i>	<i>Electrical Specifications</i>
Frequency Range	3.8 to 8.2GHz
Insertion Loss	≤ 2.0dB
VSWR	≤ 2.0:1
Rejection	≥30dB @ 3.3GHz ≥30dB @ 9 GHz
Power Handling	5W
Port Connectors	SMA-Female
Surface Finish	Natural color conductive oxidation or Black Paint
Dimensions	See Attached Drawing
Mounting Hole Diameter	0.09[2.2] Inch[mm]

CALL OUR SALES DEPARTMENT FOR MORE INFORMATION OR VARIATIONS OF THIS PRODUCT.

Corry Micronics, Inc. One Plastics Rd. - Corry, PA 16407
(724) 940-7556 ext. 138 Fax (724) 940-7707 www.cormic.com

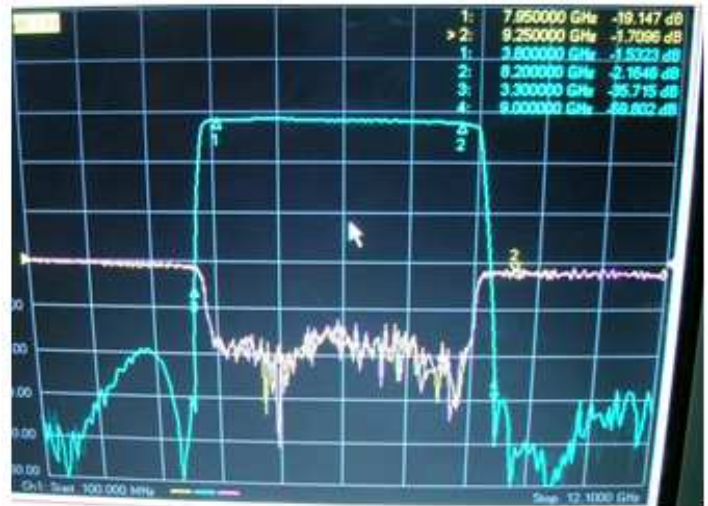
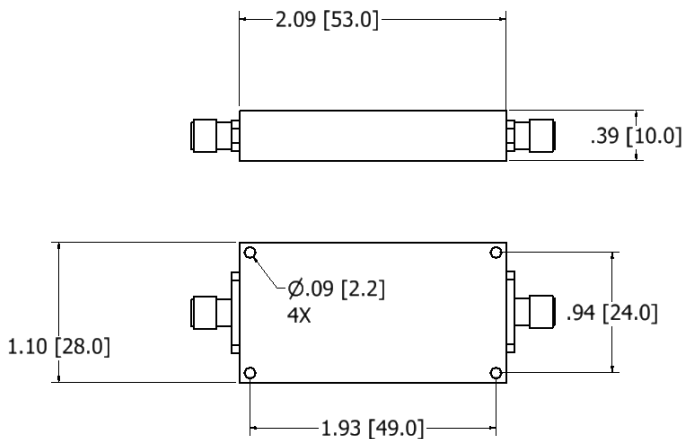
Corry Micronics Inc. herein referred to CMI, believes this information to be accurate, but makes no warranties, expressed or implied as to the accuracy of this document. CMI assumes no liability for any injury, loss, damage, direct or consequential arising from the use of our products. User assumes all risk whatsoever in connection with its intended use. CMI also reserves the right to change this document without notice. 5/29/2018



CORRY MICRONICS, INC PRODUCT SPECIFICATION

Features

- Wide frequency range
- High Reliability
- High "Q"
- Low Loss
- High Rejection
- Small Size



Dimensions are in Inches [mm]

CALL OUR SALES DEPARTMENT FOR MORE INFORMATION OR VARIATIONS OF THIS PRODUCT.

Corry Micronics, Inc. One Plastics Rd. - Corry, PA 16407
(724) 940-7556 ext. 138 Fax (724) 940-7707 www.cormic.com

Corry Micronics Inc. herein referred to CMI, believes this information to be accurate, but makes no warranties, expressed or implied as to the accuracy of this document. CMI assumes no liability for any injury, loss, damage, direct or consequential arising from the use of our products. User assumes all risk whatsoever in connection with its intended use. CMI also reserves the right to change this document without notice. 05/29/2018