



CORRY MICRONICS, INC PRODUCT SPECIFICATION

CMIF30130-HS
Suspended Substrate Strip-Line High Pass Filter



<i>Parameters</i>	<i>Electrical Specifications</i>
Frequency Range	3 to 13GHz
Insertion Loss	≤ 1.5dB
VSWR	≤ 2.0:1
Rejection	≥60dB @ DC-2.5GHz
Power Handling	10W
Port Connectors	SMA-Female
Surface Finish	Natural color conductive oxidation or Black Paint
Operating Temp	15C ~ +40C
Dimensions	See Attached Drawing
Mounting Hole Diameter	0.09[2.2] Inch[mm]

CALL OUR SALES DEPARTMENT FOR MORE INFORMATION OR VARIATIONS OF THIS PRODUCT.

Corry Micronics, Inc. One Plastics Rd. - Corry, PA 16407
(724) 940-7556 ext. 138 Fax (724) 940-7707 www.cormic.com

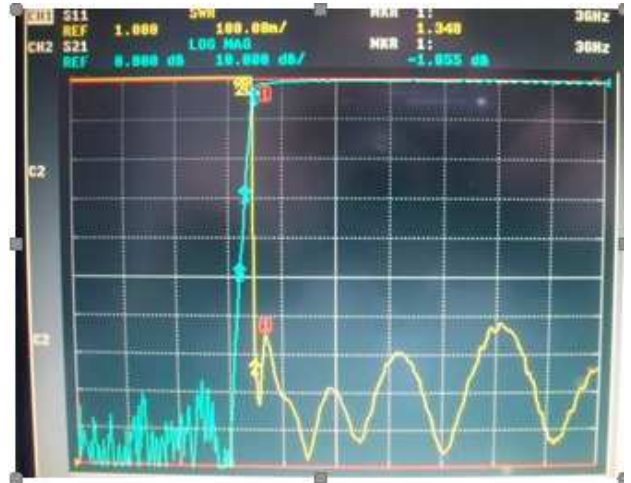
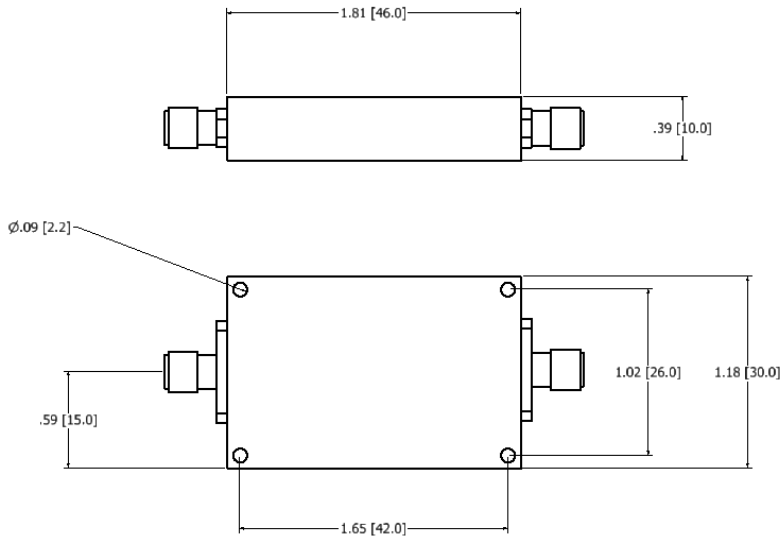
Corry Micronics Inc. herein referred to CMI, believes this information to be accurate, but makes no warranties, expressed or implied as to the accuracy of this document. CMI assumes no liability for any injury, loss, damage, direct or consequential arising from the use of our products. User assumes all risk whatsoever in connection with its intended use. CMI also reserves the right to change this document without notice. 5/29/2018



CORRY MICRONICS, INC PRODUCT SPECIFICATION

Features

- Wide frequency range
- High Reliability
- High "Q"
- Low Loss
- High Rejection
- Small Size



Dimensions are in Inches [mm]

CALL OUR SALES DEPARTMENT FOR MORE INFORMATION OR VARIATIONS OF THIS PRODUCT.

Corry Micronics, Inc. One Plastics Rd. - Corry, PA 16407
(724) 940-7556 ext. 138 Fax (724) 940-7707 www.cormic.com

Corry Micronics Inc. herein referred to CMI, believes this information to be accurate, but makes no warranties, expressed or implied as to the accuracy of this document. CMI assumes no liability for any injury, loss, damage, direct or consequential arising from the use of our products. User assumes all risk whatsoever in connection with its intended use. CMI also reserves the right to change this document without notice. 05/29/2018