

TDSCDMA

Features:

Specially Designed for 3G TD-SCDMA Base Station
Confirms to ITU Technical Standards
Effectively Reject WCDMA Signal
High Power Capability

Applications:

TDSCDMA Repeater, Base Station

**Technical Specifications:**

Operating Frequency: 2010 to 2025MHz
Insertion Loss: 1.2dB maximum / 1dB typical
Inband Ripple: 0.3dB p-p maximum
Connectors: N/SMA
Return Loss: 20dB minimum
Outband Rejection:
≥17dB @ 1962-1990MHz
≥14dB @ 2045-4020MHz
≥40dB @ 1914-1962MHz
≥40dB @ 4020-12750MHz

Power Handling: 10 watts

Operating Temperature: -40 to +80 °C

Storage Temperature: -45 to +85 °C

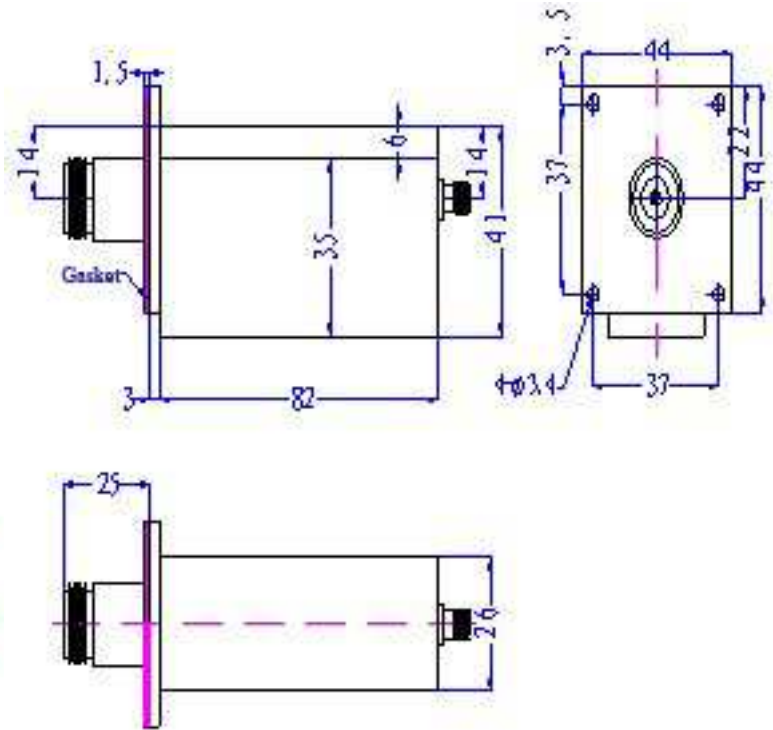
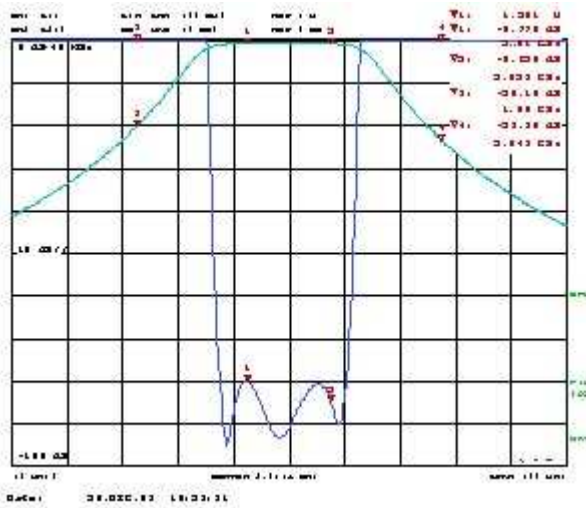
Operating Humidity: 0 to 90%, relative

CALL OUR SALES DEPARTMENT FOR MORE INFORMATION OR VARIATIONS OF THIS PRODUCT.

Corry Micronics, Inc. One Plastics Rd. - Corry, PA 16407
(814) 664-7728 Fax (814) 664-4582 www.cormic.com

Corry Micronics Inc. herein referred to CMI, believes this information to be accurate, but makes no warranties, expressed or implied as to the accuracy of this document. CMI assumes no liability for any injury, loss, damage, direct or consequential arising from the use of our products. User assumes all risk whatsoever in connection with it's intended use. CMI also reserves the right to change this document without notice.

Outline Drawing:



Notes:

Connector type is optional of N-type or SMA, according to requirement.

CALL OUR SALES DEPARTMENT FOR MORE INFORMATION OR VARIATIONS OF THIS PRODUCT.

**Corry Micronics, Inc. One Plastics Rd. - Corry, PA 16407
(814) 664-7728 Fax (814) 664-4582 www.cormic.com**

Corry Micronics Inc. herein referred to CMI, believes this information to be accurate, but makes no warranties, expressed or implied as to the accuracy of this document. CMI assumes no liability for any injury, loss, damage, direct or consequential arising from the use of our products. User assumes all risk whatsoever in connection with it's intended use. CMI also reserves the right to change this document without notice.