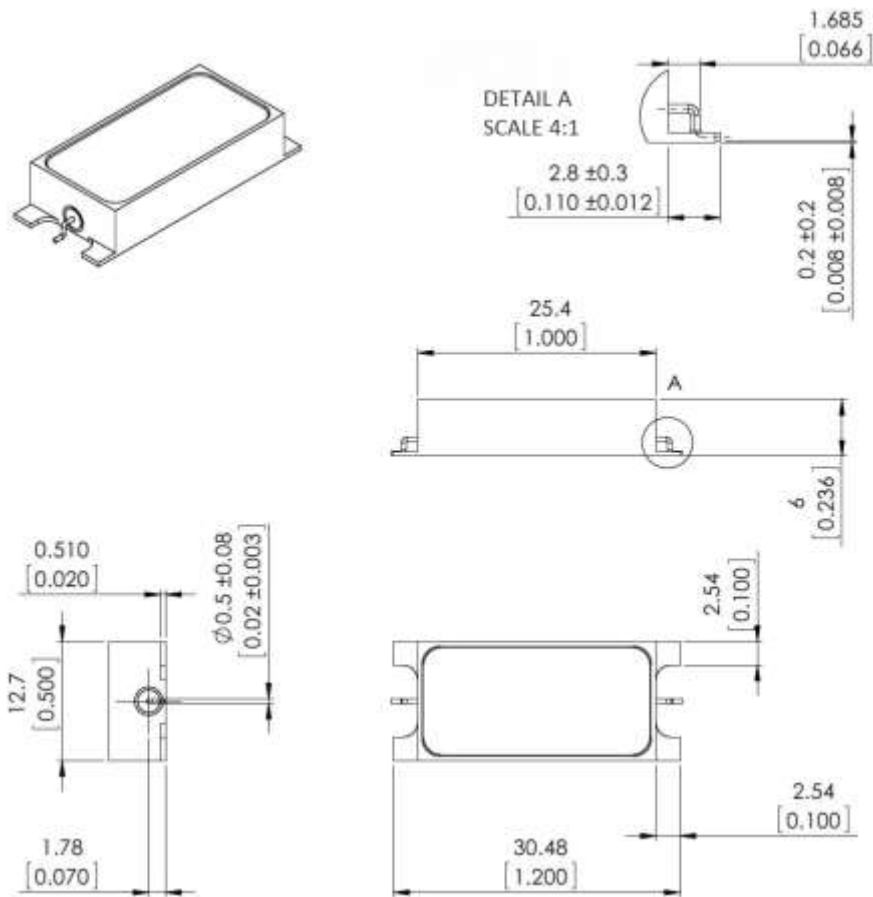


CMIBPF-158-6M
LUMPED ELEMENT FILTER

Center Frequency	158 MHz
Pass Band Frequency	155-161 MHz
Insertion Loss (at 25°C)	3 dB Max
Return Loss in Band	15 dB Min
Rejection at 138 MHz	30 dB
Rejection at 178 MHz	25 dB
Rejection at 118 MHz	65 dB
Rejection at 198 MHz	50 dB
Impedance	50 Ω



Dimensions in mm [in]

CALL OUR SALES DEPARTMENT FOR MORE INFORMATION OR VARIATIONS OF THIS PRODUCT.

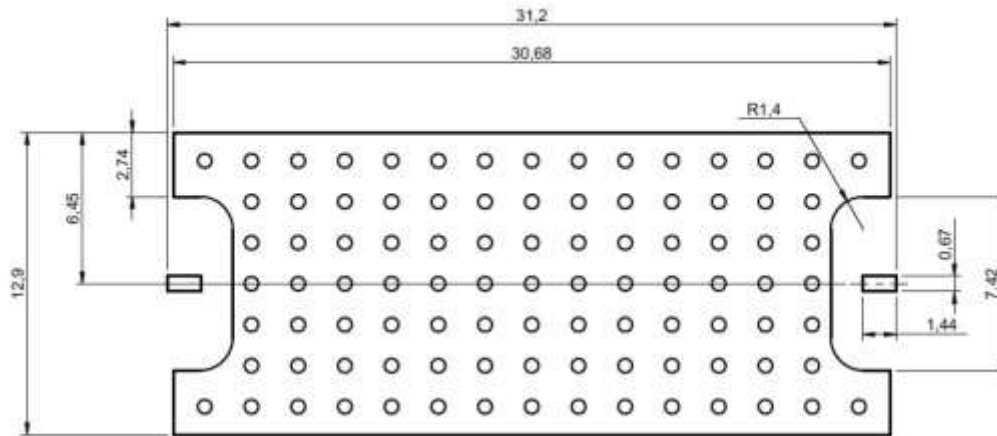
Corry Micronics, Inc. One Plastics Rd. - Corry, PA 16407

(724) 940-7556 ext. 138 Fax (724) 940-7707 www.cormic.com

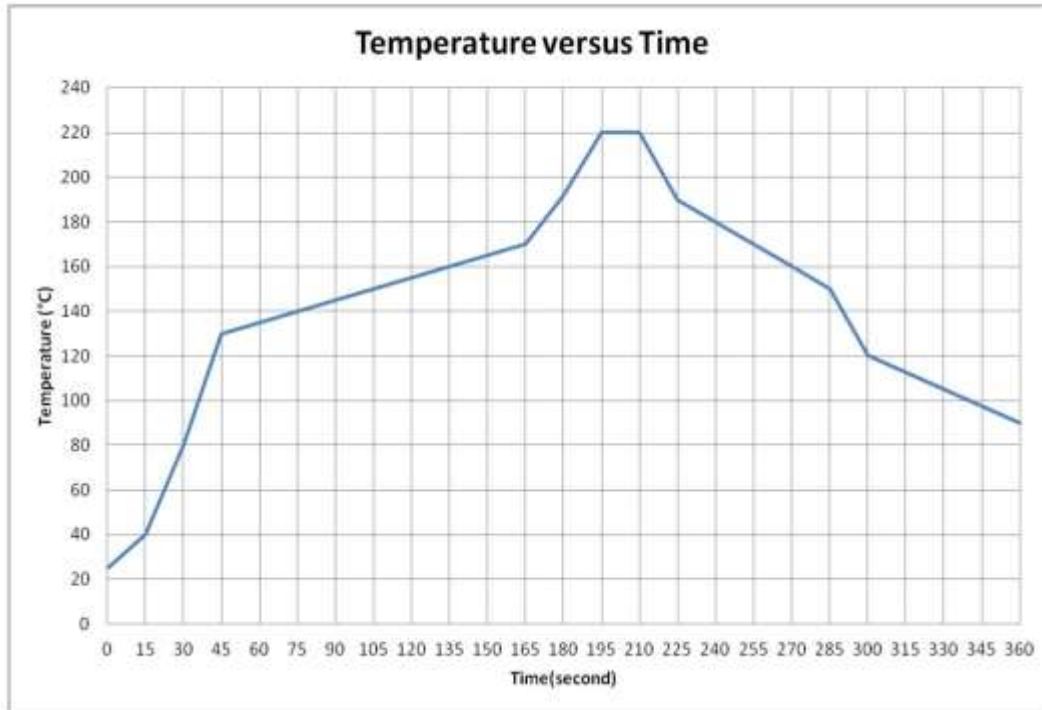
Corry Micronics Inc. herein referred to CMI, believes this information to be accurate, but makes no warranties, expressed or implied as to the accuracy of this document. CMI assumes no liability for any injury, loss, damage, direct or consequential arising from the use of our products. User assumes all risk whatsoever in connection with it's intended use. CMI also reserves the right to change this document without notice. 12/1/16

**CMIBPF-158-6M
LUMPED ELEMENT FILTER**

LAYOUT



RECOMMENDED REFLOW PROFILE



Dimensions in mm [in]

CALL OUR SALES DEPARTMENT FOR MORE INFORMATION OR VARIATIONS OF THIS PRODUCT.

Corry Micronics, Inc. One Plastics Rd. - Corry, PA 16407

(724) 940-7556 ext. 138 Fax (724) 940-7707 www.cormic.com

Corry Micronics Inc. herein referred to CMI, believes this information to be accurate, but makes no warranties, expressed or implied as to the accuracy of this document. CMI assumes no liability for any injury, loss, damage, direct or consequential arising from the use of our products. User assumes all risk whatsoever in connection with it's intended use. CMI also reserves the right to change this document without notice. 12/1/16