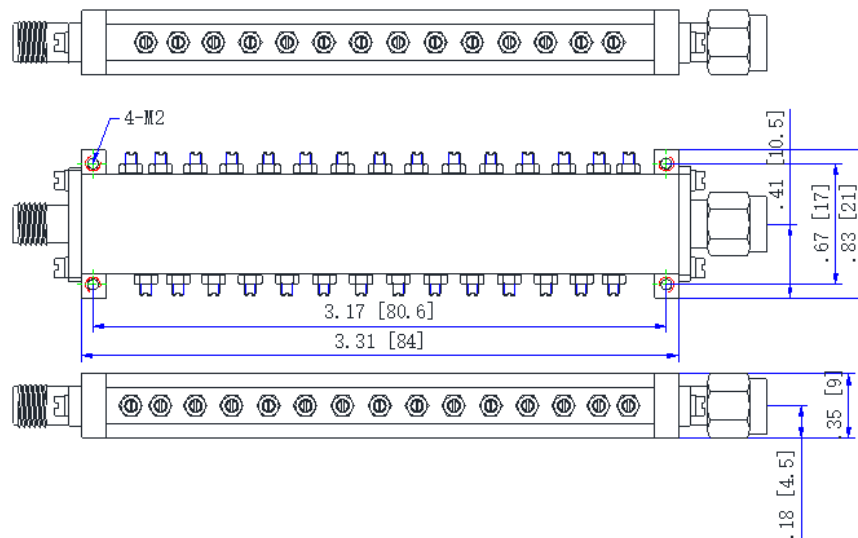




CORRY MICRONICS, INC PRODUCT SPECIFICATION

**CMIBF-16100X1500**  
**Band Pass Cavity Filter**

Parameters	Specifications
Frequency Range	15350~16850MHz
Insertion Loss	≤2.0dB
Insertion loss variation	< 0.3 dB peak-peak in any 25MHz interval < 0.8 dB peak-peak in any500 MHz interval in the range of 15600~16800 MHz
VSWR	≤1.5:1
Rejection	≥80dB@DC~14150MHz ≥30dB@14150~15150MHz ≥30dB@17050~18050MHz ≥60dB@18050~28300MHz
Group Delay Variation	<2.6 ns peak-peak within any 500 MHz interval, in the range of 15600~16800MHz
Input Power	5W
Connectors	SMA-Female, SMA-Male
Impedance	50 Ω
Operating Temp.	-30°C~+70°C
Surface Finish	Black Paint
Dimensions	See Attached drawing ( <i>All dimensions are in Inches[mm]</i> )



**CALL OUR SALES DEPARTMENT FOR MORE INFORMATION OR VARIATIONS OF THIS PRODUCT.**

**Corry Micronics, Inc. One Plastics Rd. - Corry, PA 16407**  
**(724) 940-7556 ext. 138 Fax (724) 940-7707 www.cormic.com**

Corry Micronics Inc. herein referred to CMI, believes this information to be accurate, but makes no warranties, expressed or implied as to the accuracy of this document. CMI assumes no liability for any injury, loss, damage, direct or consequential arising from the use of our products. User assumes all risk whatsoever in connection with its intended use. CMI also reserves the right to change this document without notice. 6/25/2018