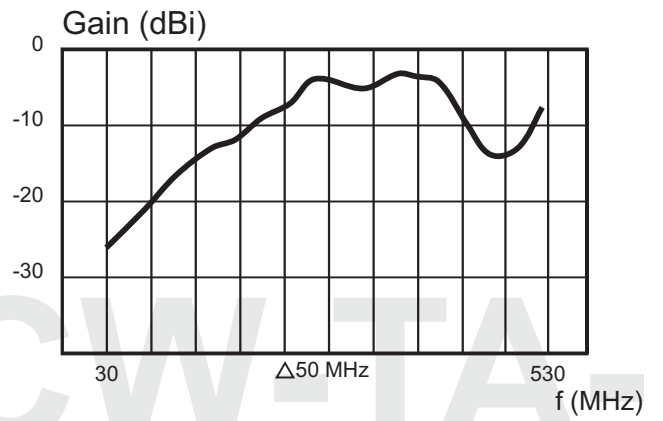
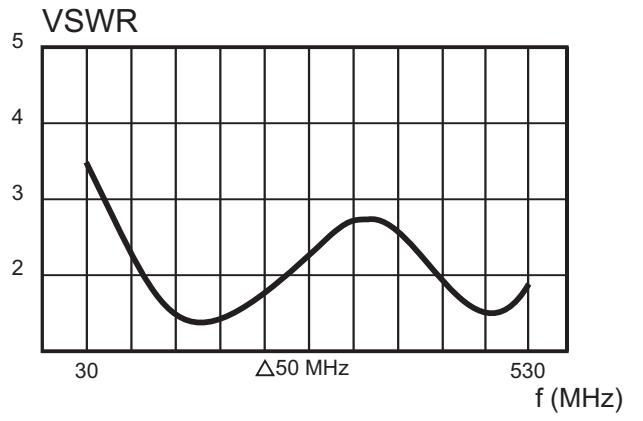
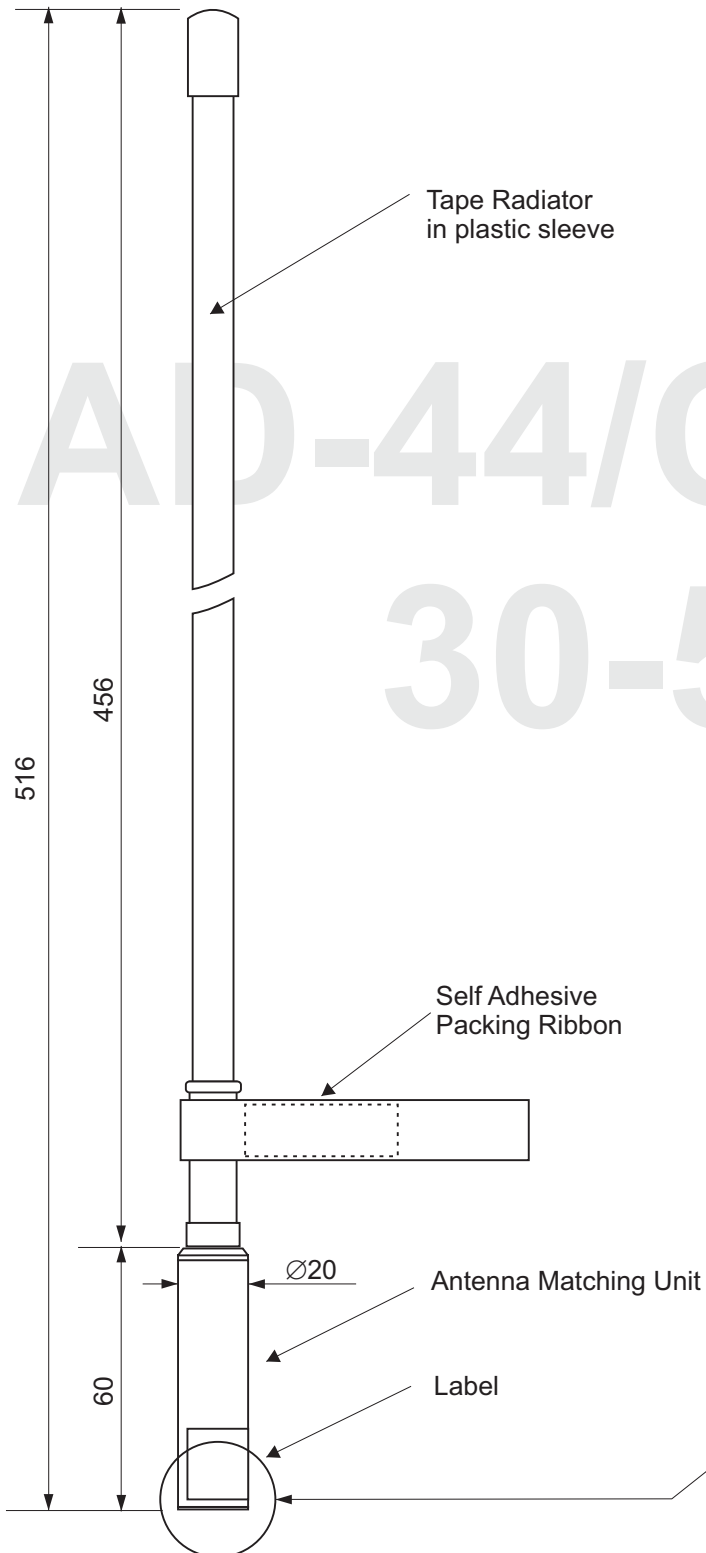


The antenna AD-44/CW-TA-30-512 is a wideband monopole whip, primarily intended for use with portable and handheld radio stations in VHF/UHF frequency range from 30 to 512 MHz. Electrically the antenna is optimised for all exploitation conditions (radio in hand, at the side, etc.) so it is not necessary to additionally tune the antenna. The antenna is composed of radiating part made of tape radiator and of the antenna matching unit with built-in a special passive transformer tuning network enclosed in fiberglass housing above the input coaxial connector.

Frequency range	30 -512 MHz
Impedance	50 ohm
VSWR	< 3.5 (typ. < 3)
Polarization	VER.
Maximum power	5 W CW
Height	516 mm
Weight	120 g
Connector	TNC male





APD-44/CW-TA
30-512