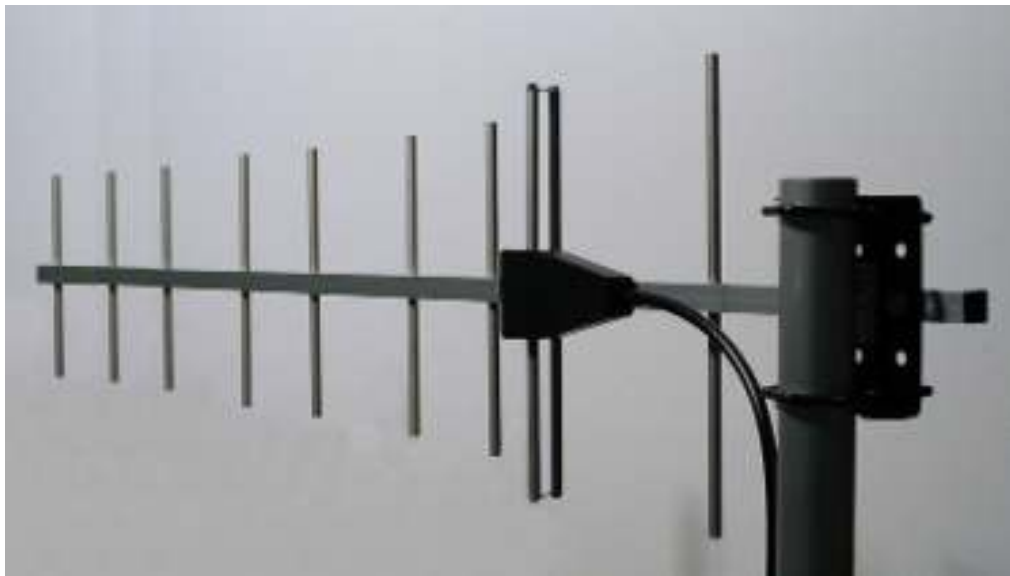
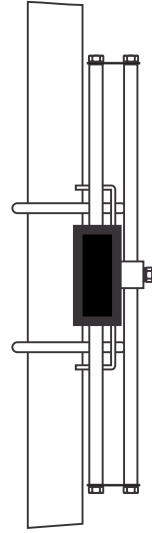
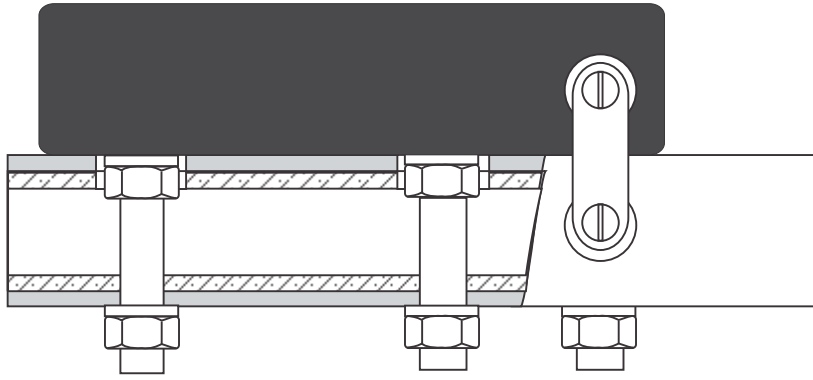


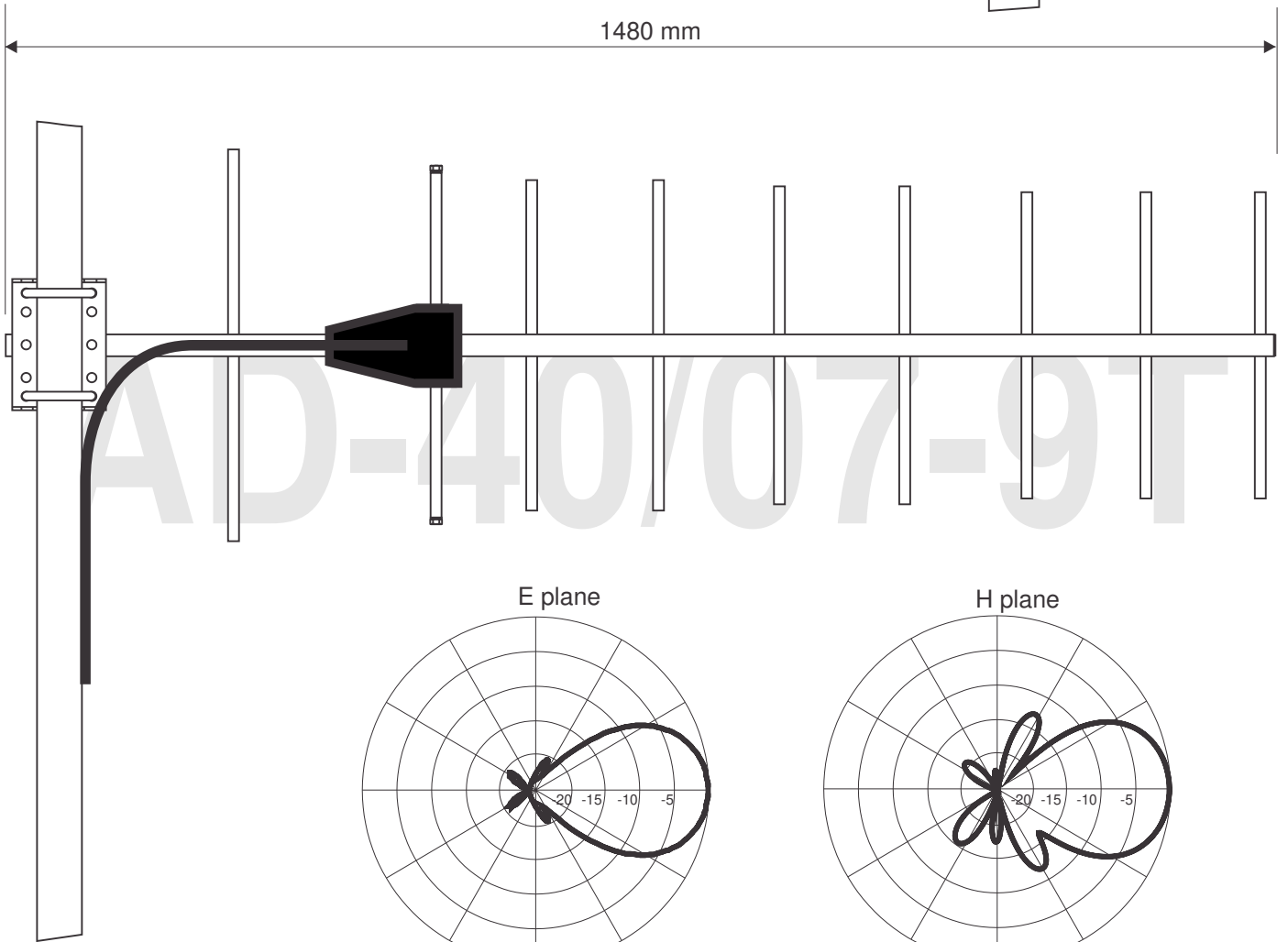
The antenna AD-40/07-9T is 9-element yagi antenna, primarily intended for use on TETRA UHF frequency range from 380 to 420 MHz. The antenna is directional with 10 dBd gain. The radiator is made of folded dipole enables constant characteristics on whole frequency band. The elements are made of aluminum alloy with 10 mm diameter and inserted into aluminum square tube boom 20 x 20 mm. The mounting adapter is on back side of the boom enables using vertical or horizontal polarization as well. All joint element are made of stainless steel and matching unit is built in plastic protective housing enable reliable work even in hardest climatic conditions. All metal parts are DC grounded.



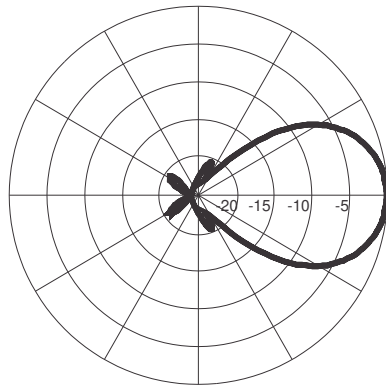
Frequency range	380 - 420 Mhz
Impedance	50 ohm
VSWR	< 1.6
Gain	10 dBd
Front to Back ratio	> 20dB
Polarization	VERT./HOR.
Maximum power	200 W
Connector	1.5 m RG-213 + N
Width	38 cm
Length	150 cm
Mass of antenna	3.0 kg



1480 mm



E plane



H plane

