

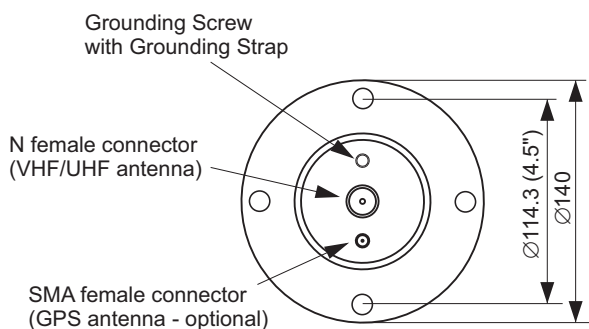
The antenna AD-4/WB-MHD-4.8 is a wideband mobile HF antenna for frequency range from 1 to 60 MHz, mainly intended for use in heavy duty mobile applications.

The antenna is composed of five main parts: one antenna base and four radiating elements. The antenna base is made of aluminum and durable plastic materials. Inside the base is the matching circuitry and (optional) GPS antenna. Stainless steel spring absorbs the shocks and the vibrations, in addition protects the antenna against impacts. All radiating elements are made of composite materials enable outstanding strength and roughness even in hardest conditions of use.

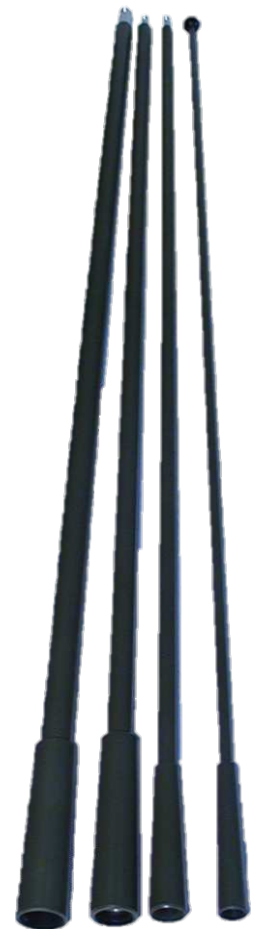
The antenna base has four mounting holes equally spaced on a 4.5" (114.3 mm) circle which complies with NATO standard. Different base plate dimensions are available on request.

The antenna radiator is painted with military green (RAL-6014) two-component UV resistant paint.

ELECTRICAL SPECIFICATIONS :	
Frequency range	1 - 60 MHz
Impedance	50 ohms
VSWR	< 2,5
Gain	-35 ... +3 dBi
Polarization	vert.
Maximum power	200 W CW
Connector	N female
MECHANICAL SPECIFICATIONS:	
Design	End fed whip
Height	5.07 m
Weight	5.2 kg
Temperature range - in use	-50 ... +55 °C
Temperature range - in stock	-55 ... +75 °C
Wind rating	45 m/s (160 km/h)
Color	MIL Green



Antenna Base



Antenna Sections

